



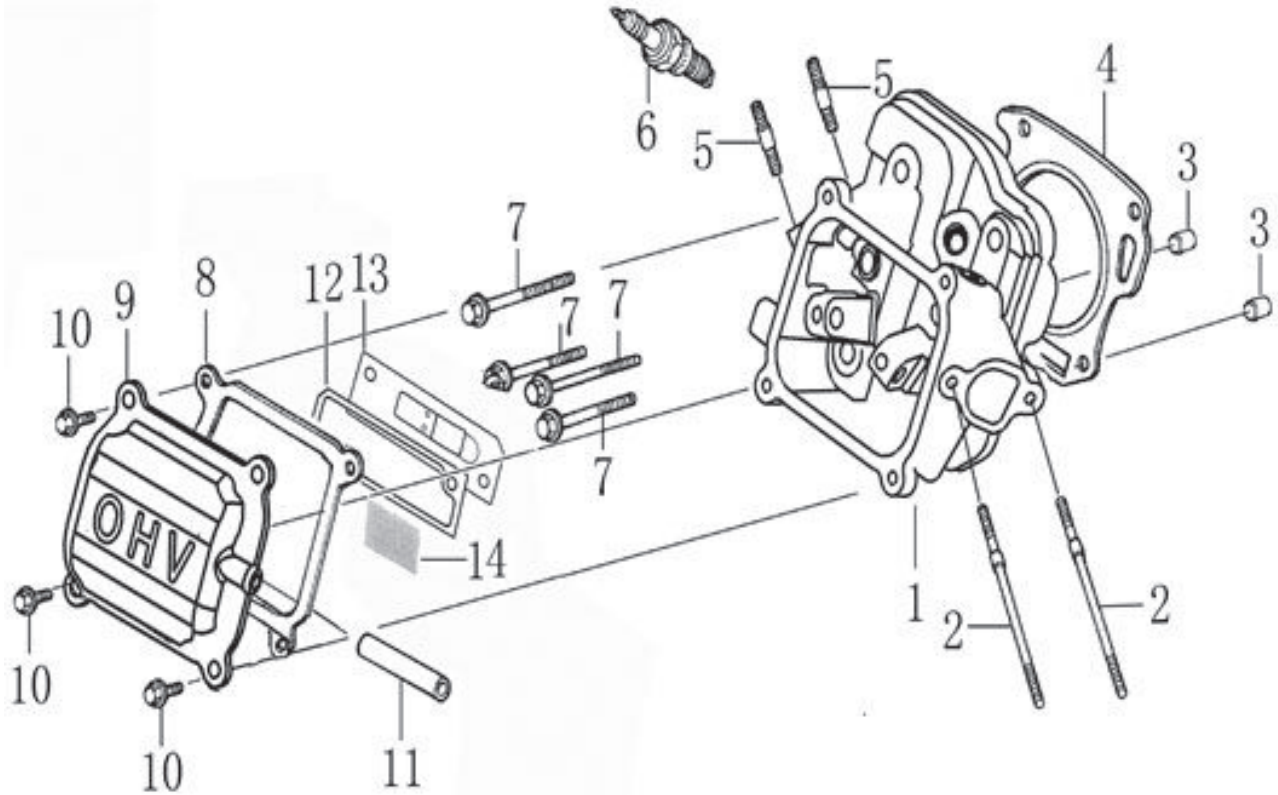
# Engine Parts Manual

## 212cc (G19)

### **NOTICE!**

The information in this manual is known to be accurate as of the date of release shown on the cover. However, engineering changes can occur without notice. To obtain the proper parts, please be sure to use the serial number of the unit being serviced when ordering from this manual. Always refer to any parts notes and changes before ordering. All other parts not shown in this manual can be found on Generac's exploded view drawings online on GENservice at [www.generac.com](http://www.generac.com).

Cylinder Head

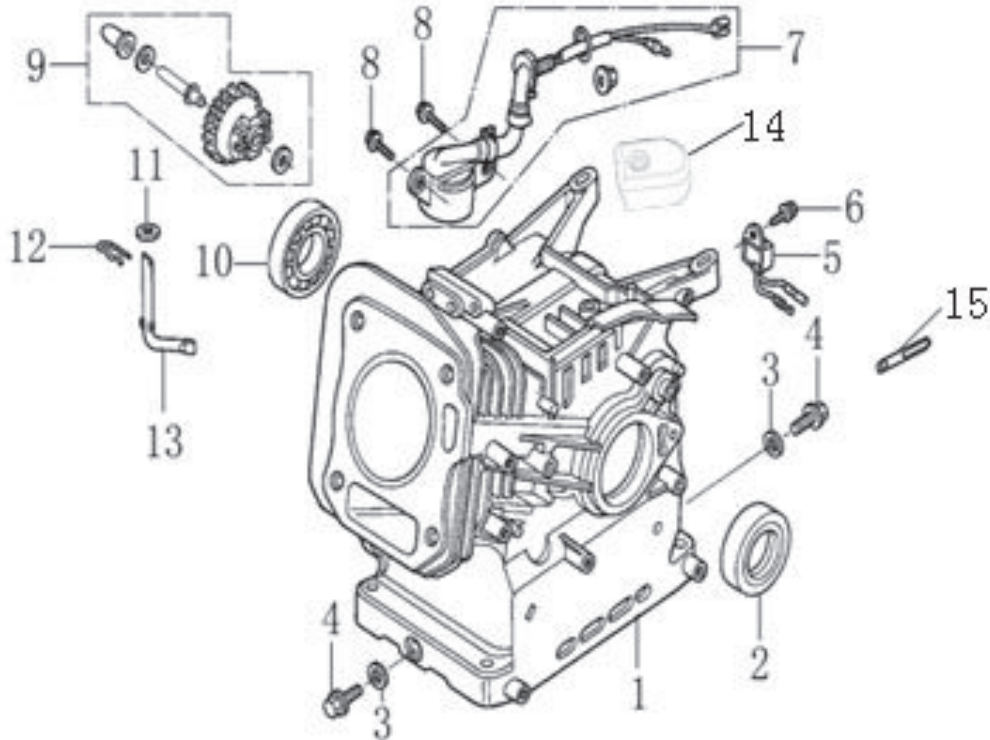


ITEM	PART NO.	QTY.	DESCRIPTION
1	0J88870101	1	HEAD, CYLINDER
2	0J35220159	2	BOLT, STUD, INTAKE
3	0J35220165	2	PIN, DOWEL
4	0K10430110	1	GASKET, CYLINDER HEAD
5	0G84420210	2	BOLT, STUD EXHAUST
6	0J00620106	1	PLUG, SPARK
7	0J35220158	4	BOLT, FLANGED HEAD, 8*60
8	0J88870103	1	GASKET, HEAD COVER
9	0J88870104	1	COVER, HEAD
10	0G84420217	4	BOLT, FLANGE , 6*14
11	0J88870105	1	TUBE, BREATHER
12	0J88870107	1	GASKET, BREATHER CHAMBER
13	0J88870106	1	CAP, BREATHER CHAMBER
14	0J88870108	1	STRAINER, OIL

# 212cc ENGINE

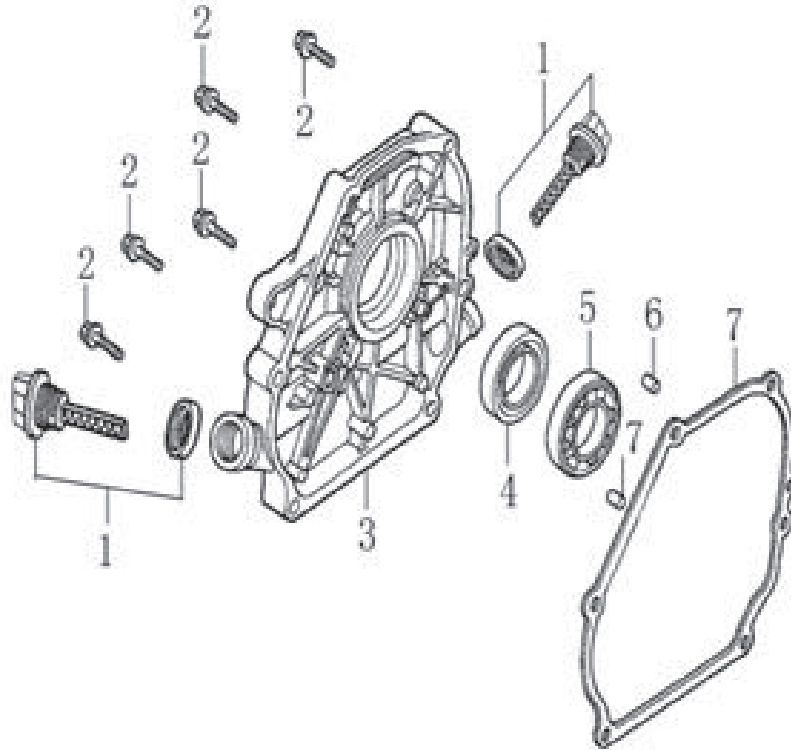


## Crankcase



ITEM	PART NO.	QTY.	DESCRIPTION
1	OK10430111	1	CRANK CASE
2	OJ35220166	1	OIL SEAL 25x41.25x6
3	OJ35220164	2	WASHER, DRAIN PLUG
4	OJ35220111	2	BOLT, DRAIN PLUG
5	OG84420112	1	ALERT UNIT, OIL
6	OJ35220157	1	BOLT, FLANGE , 6x10
7	OJ35220154	1	SWITCH, OIL LEVEL
8	OG84420217	2	BOLT, FLANGE, 6*14
9	OJ88870110	1	GOVERNOR GEAR ASSEMBLY
10	OJ35230139	1	BEARING, RADIAL BALL
11	OJ47870118	1	WASHER, PLAIN
12	OG84420219	1	PIN, LOCK
13	OJ47870119	1	SHAFT, GOVERNOR ARM
14	OJ88870133	1	COVER, WIRE
15	OJ35250337	1	CABLE CLEAT

Crankcase Cover

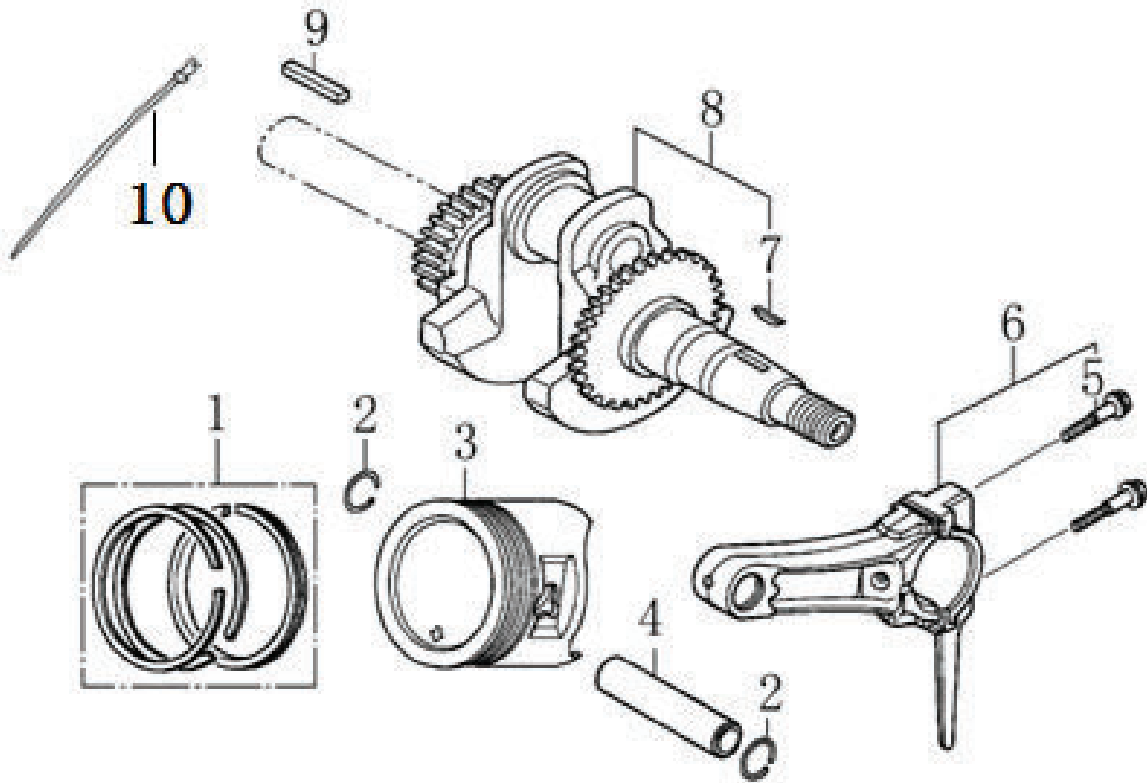


ITEM	PART NO.	QTY.	DESCRIPTION
1	0J35230110	2	DIPSTICK WITH WASHER
2	0J35230136	6	BOLT, FLANGE
3	0J88870111	1	COVER, CASE
4	0J35220166	1	SEAL, OIL SEAL 25x41.25x6
5	0J35230139	1	BEARING, RADIAL BALL
6	0J35230138	2	PIN, DOWEL
7	0J88870112	1	GASKET, CASE COVER

# 212cc ENGINE

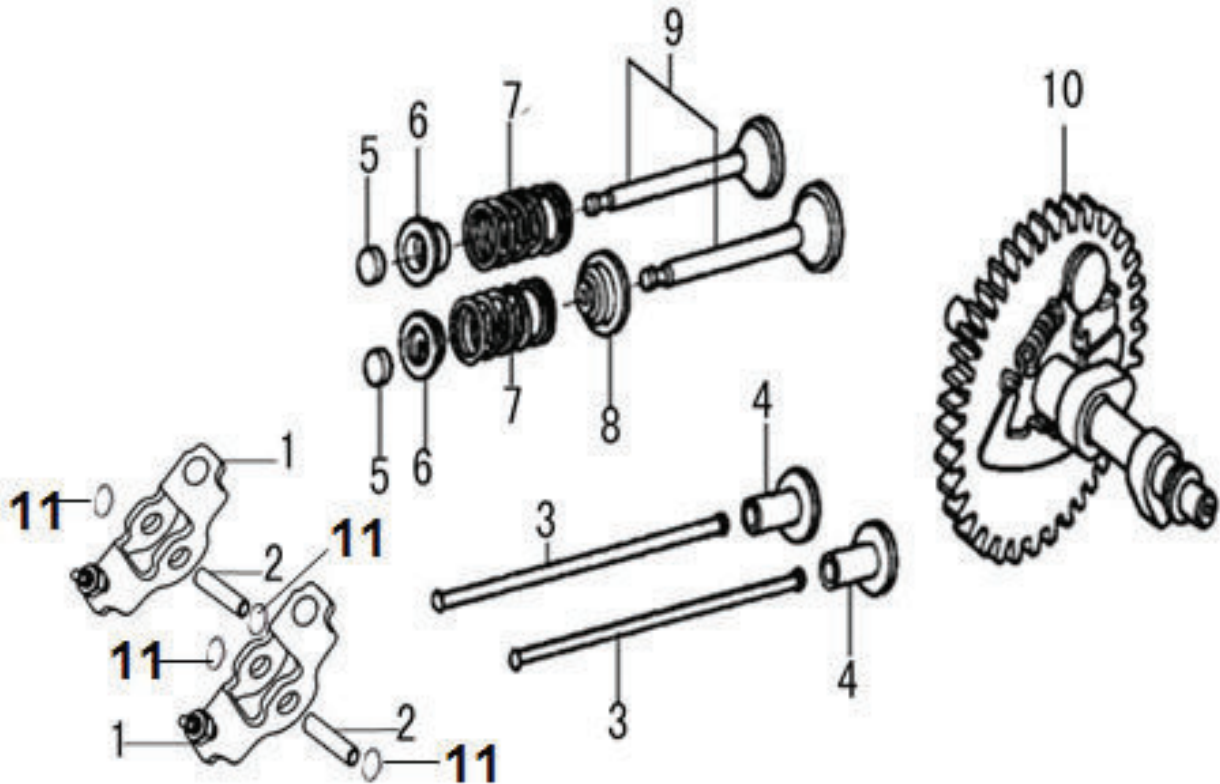


## Crankshaft and Piston



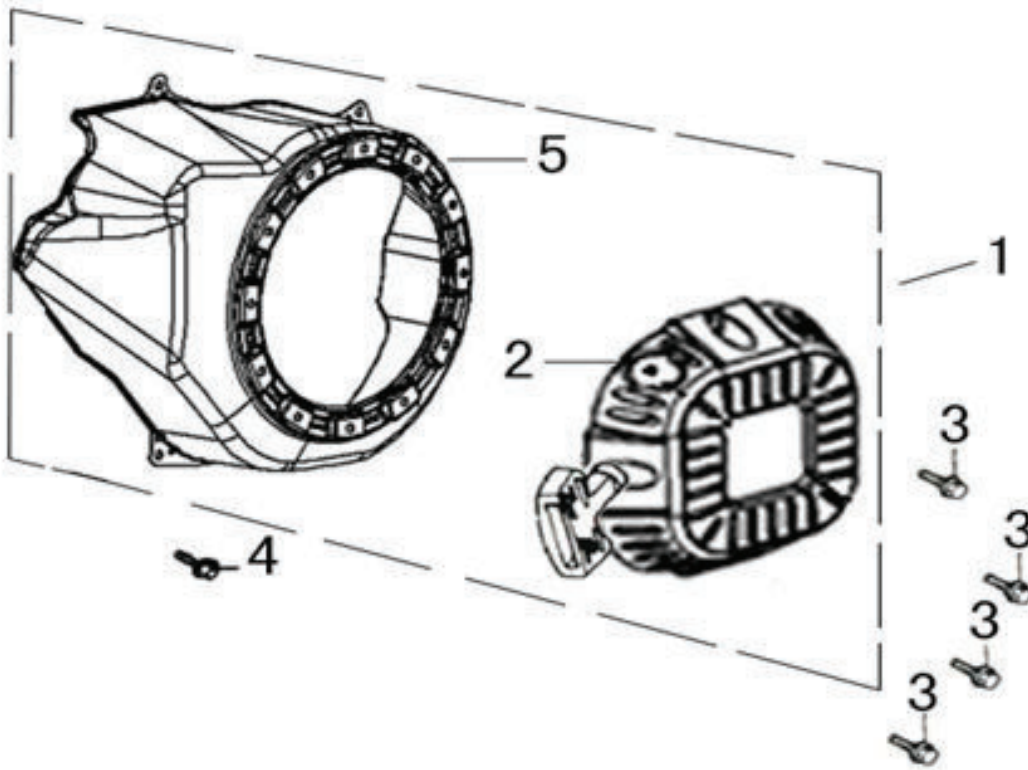
ITEM	PART NO.	QTY.	DESCRIPTION
1	0K10430113	1	RING SET
2	0J47870127	2	CLIP, PISTON PIN
3	0K10430114	1	PISTON
4	0J47870129	1	PIN, PISTON
5	0J47870130	2	BOLT, CONNECTING ROD
6	0J47870131	1	ROD ASSEMBLY, CONNECTING
7	0G84420119	1	KEY, SPECIAL WOOD FORD
8	0K10430115	1	CRANKSHAFT ASSEMBLY
9	0J88870117	1	KEY, CRANKSHAFT
10	0H95590122	1	HOOP STRIP

Rocker and Camshaft



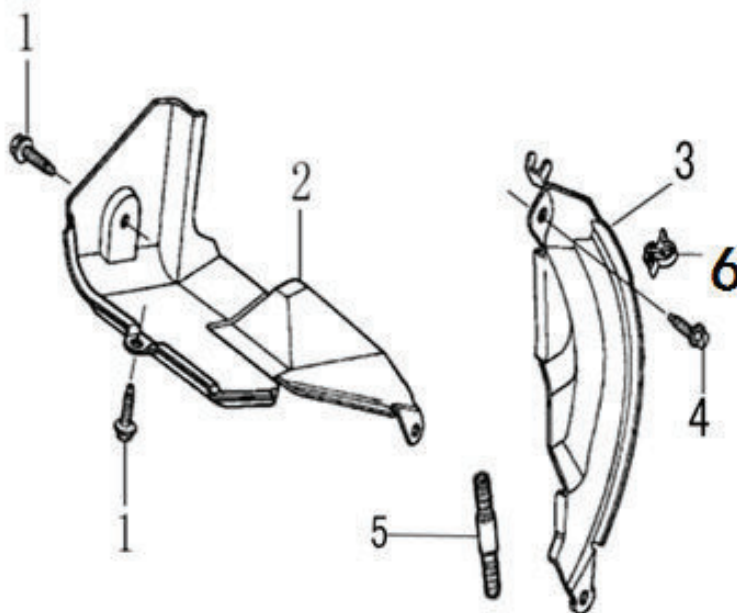
ITEM	PART NO.	QTY.	DESCRIPTION
1	0J88870120	2	ARM, ROCKER
2	0J88870119	2	VALVE ROCKER SHAFT
3	0J88870121	2	ROD, PUSH
4	0J35220122	2	LIFTER VALVE
5	0J35230114	2	ROTATOR, VALVE
6	0J35220118	2	RETAINER, VALVE SPRING
7	0J35220117	2	SPRING, VALVE
8	0J35220119	1	SEAL, GUIDE
9	0J35230140	1	VALVE SET
10	0J47870133	1	CAMSHAFT ASSEMBLY
11	0K10430117	4	WASHER, SPLIT

Starter



ITEM	PART NO.	QTY.	DESCRIPTION
1	0K10460112	1	RECOIL STARTER WITH HOUSING
2	0J35220150	1	STARTER ASSEMBLY
3	0G84420241	4	BOLT, FLANGE 6x8
4	0J35220157	4	BOLT, FLANGE 6x10
5	0K55140111	1	HOUSING, BLOWER

Shrouds



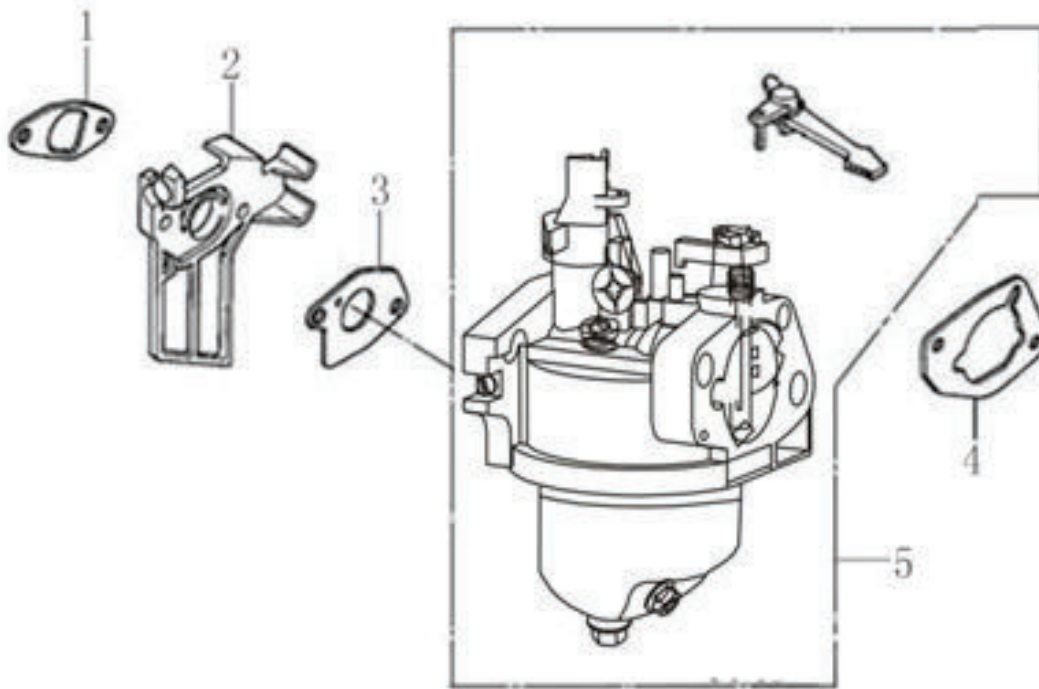
ITEM	PART NO.	QTY.	DESCRIPTION
1	0G84420241	2	BOLT, FLANGE 6x8
2	0J47870113	1	SHROUD COMPLETE
3	0J35220125	1	PLATE, SIDE
4	0J35220156	1	BOLT, FLANGE 6x20
5	0J35220160	1	BOLT, STUD
6	0J35220172	1	LOCATION CABLE CLIP



# 212cc ENGINE

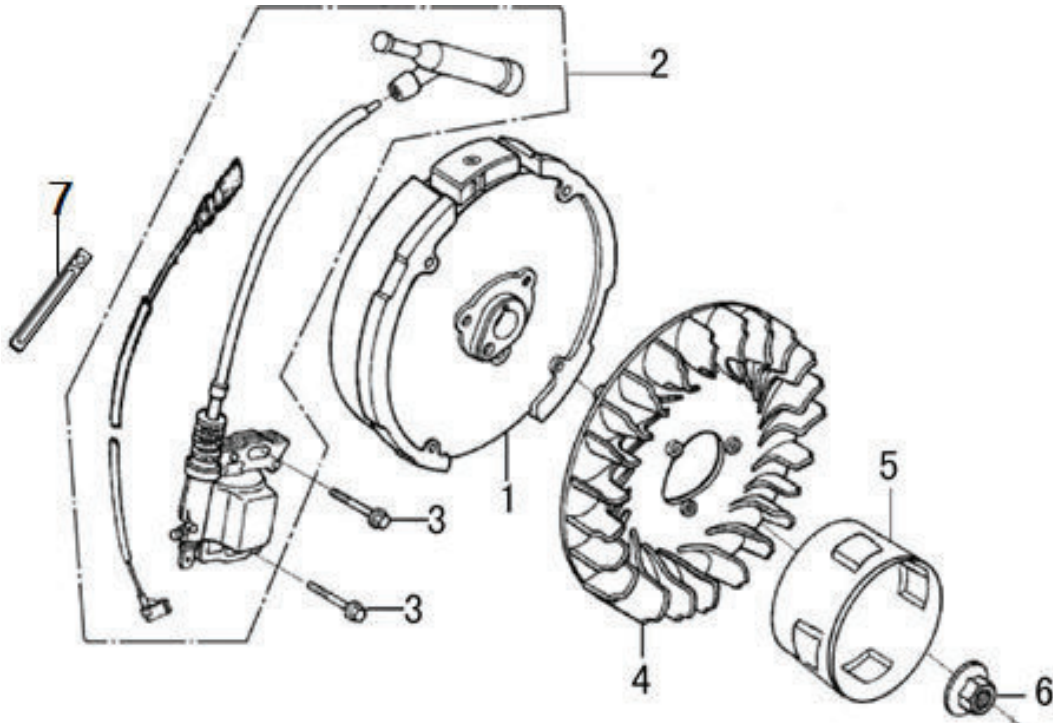


## Carburetor



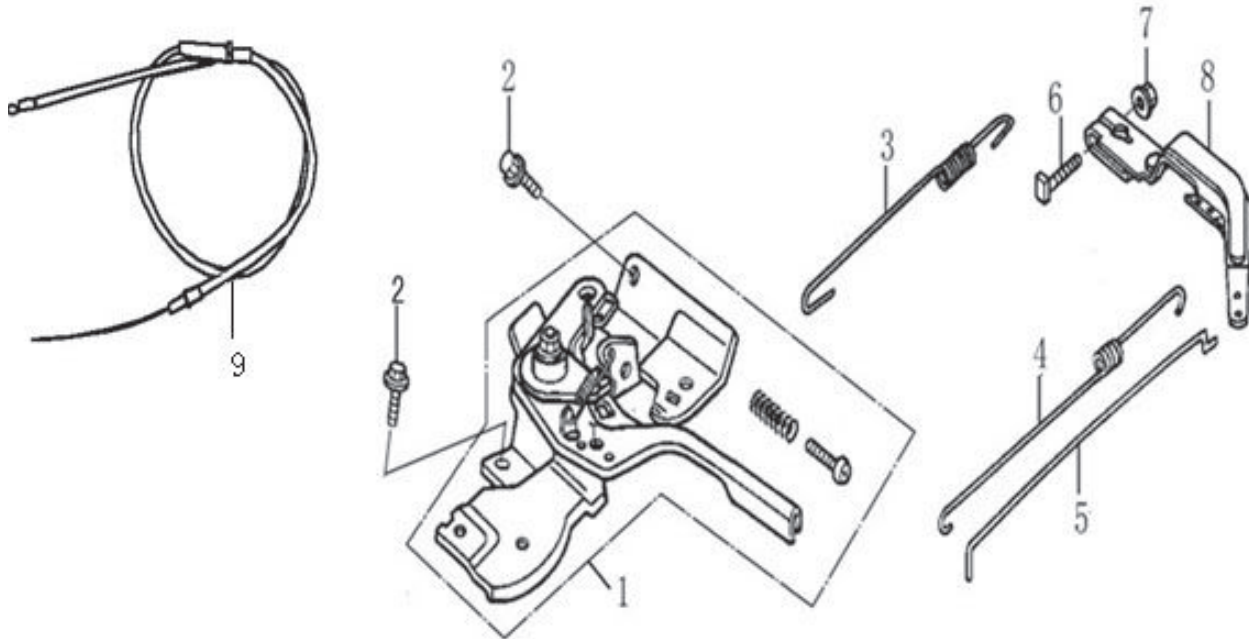
ITEM	PART NO.	QTY.	DESCRIPTION
1	0J35220128	1	GASKET, INSULATOR
2	0K49010110	1	INSULATOR, CARBURETOR
3	0J35220127	1	GASKET, CARBURETOR
4	0J35220129	1	SPACER, AIR CLEANER
5	0K10460114	1	CARBURETOR

Flywheel



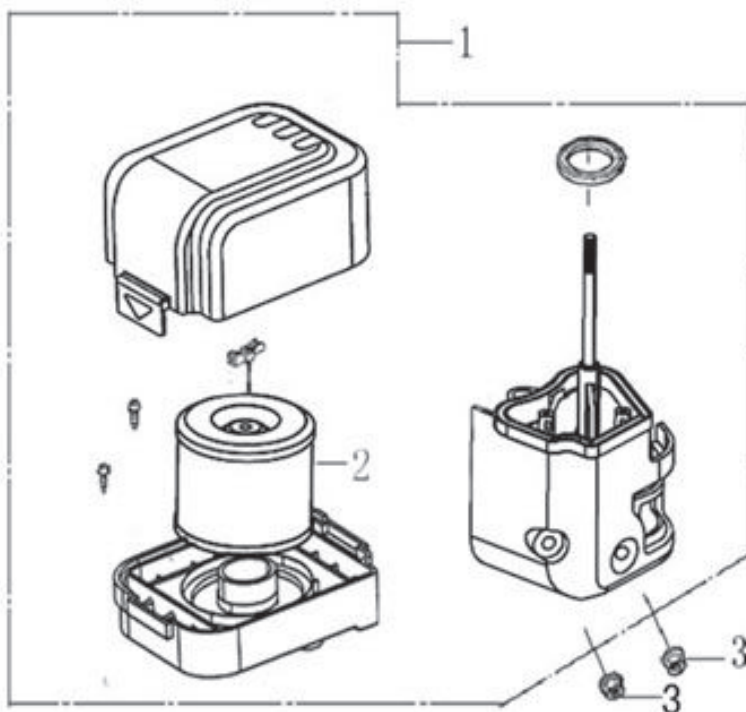
ITEM	PART NO.	QTY.	DESCRIPTION
1	0H95610115	1	FLYWHEEL
2	0J35220153	1	COIL ASSEMBLY, IGNITION
3	0G84420268	2	BOLT, FLANGE, 6x25
4	0J35230117	1	FAN, COOLING
5	0K10430121	1	PULLEY, STARTER
6	0J35220162	1	NUT, SPECIAL
7	0K10470103	1	CABLE CLEAT

## Control



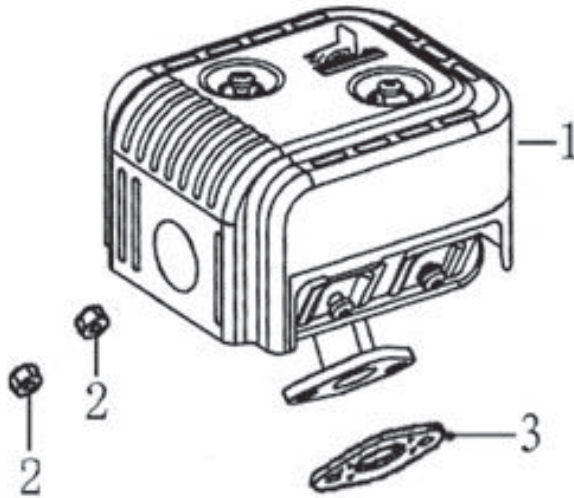
ITEM	PART NO.	QTY.	DESCRIPTION
1	0K10460115	1	CONTROL ASSEMBLY
2	0J35220157	2	BOLT, FLANGE
3	0J35220136	1	SPRING, GOVERNOR
4	0J35220137	1	SPRING, THROTTLE RETURN
5	0H95590116	1	ROD, GOVERNOR
6	0G84420197	1	BOLT, GOVERNOR ARM M6×21
7	0G84420272	1	NUT, FLANGE
8	0J35220138	1	ARM, GOVERNOR
9	0K0443	1	CABLE, CHOKE

Air Cleaner



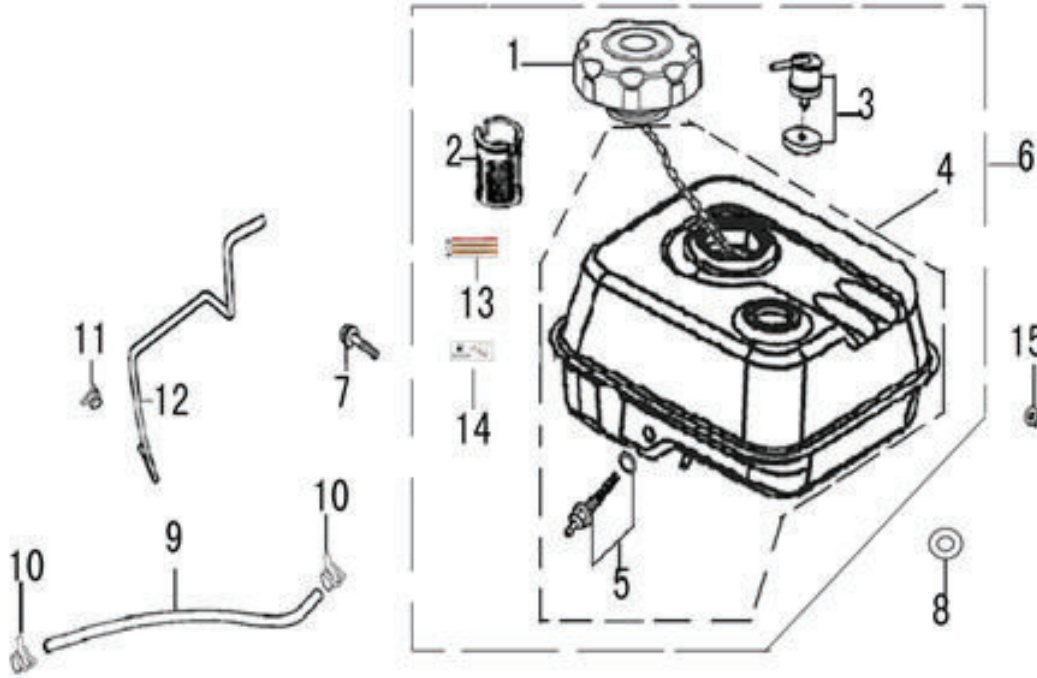
ITEM	PART NO.	QTY.	DESCRIPTION
1	0K10460119	1	AIR CLEANER ASSEMBLY
2	0J88870125	1	ELEMENT ASSEMBLY, AIR CLEANER
3	0G84420272	2	NUT, FLANGE, 6MM

Muffler



ITEM	PART NO.	QTY.	DESCRIPTION
1	0J88870126	1	MUFFLER ASSEMBLY
2	0J35220161	2	NUT, HEXGON
3	0J35220144	1	GASKET, MUFFLER
N/S	0K1851	1	ARRESTOR, SPARK

Fuel Tank



ITEM	PART NO.	QTY.	DESCRIPTION
1	0J88870127	1	CAP COMPLETE, FUEL FILLER
2	0J35220133	1	FILTER, FUEL
3	0J88870128	1	GAS VALVE, FUEL TANK
4	0K10430122	1	TANK COMPLETE, FUEL
5	0J35220132	1	JOINT ASSEMBLY, FUEL TANK
6	0J88870129	1	TANK ASSEMBLY, FUEL WITH ROLL OVER VALVE
7	0G84420268	1	BOLT, FLANGE, 6x25
8	0J35220171	2	WASHER, RUBBER
9	0K10460120	1	TUBE, FUEL
10	0J88870130	2	CLAMP, FUEL HOSE
11	0J88870132	1	CLAMP, HOSE
12	0K10460121	1	HOSE, PREFORMED
13	N/A	1	WARNING MARK
14	N/A	1	REMINDER MARK
15	0G84420272	2	NUT, FLANGE

# 212cc ENGINE



